



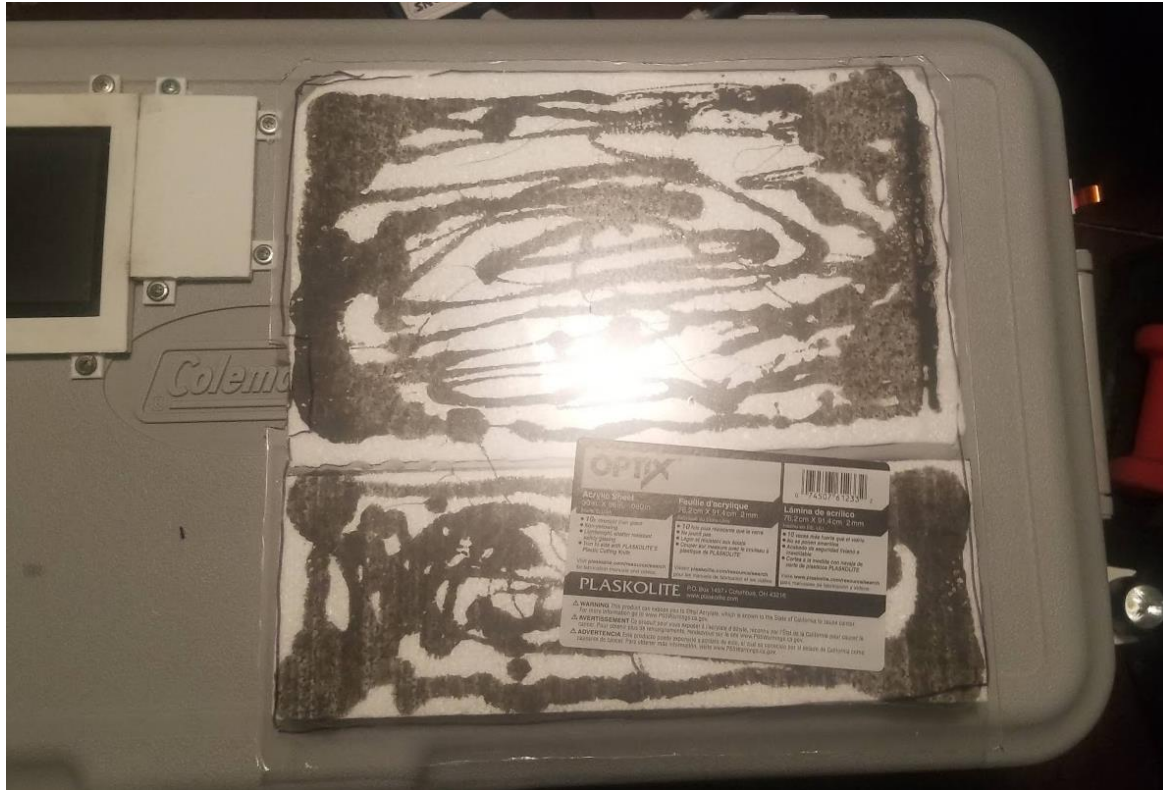
The Smart Cooler

Week 33 Mar 17 – Mar 24



Progress Made

- Finished last compartment lid
- Continued work on the Paper
- Locking Mechanism Fixed and Covered
- Solar Panel Stand Fabricated
- Installed Bottle Opener & Flashlight Holder



Final Compartment Lid

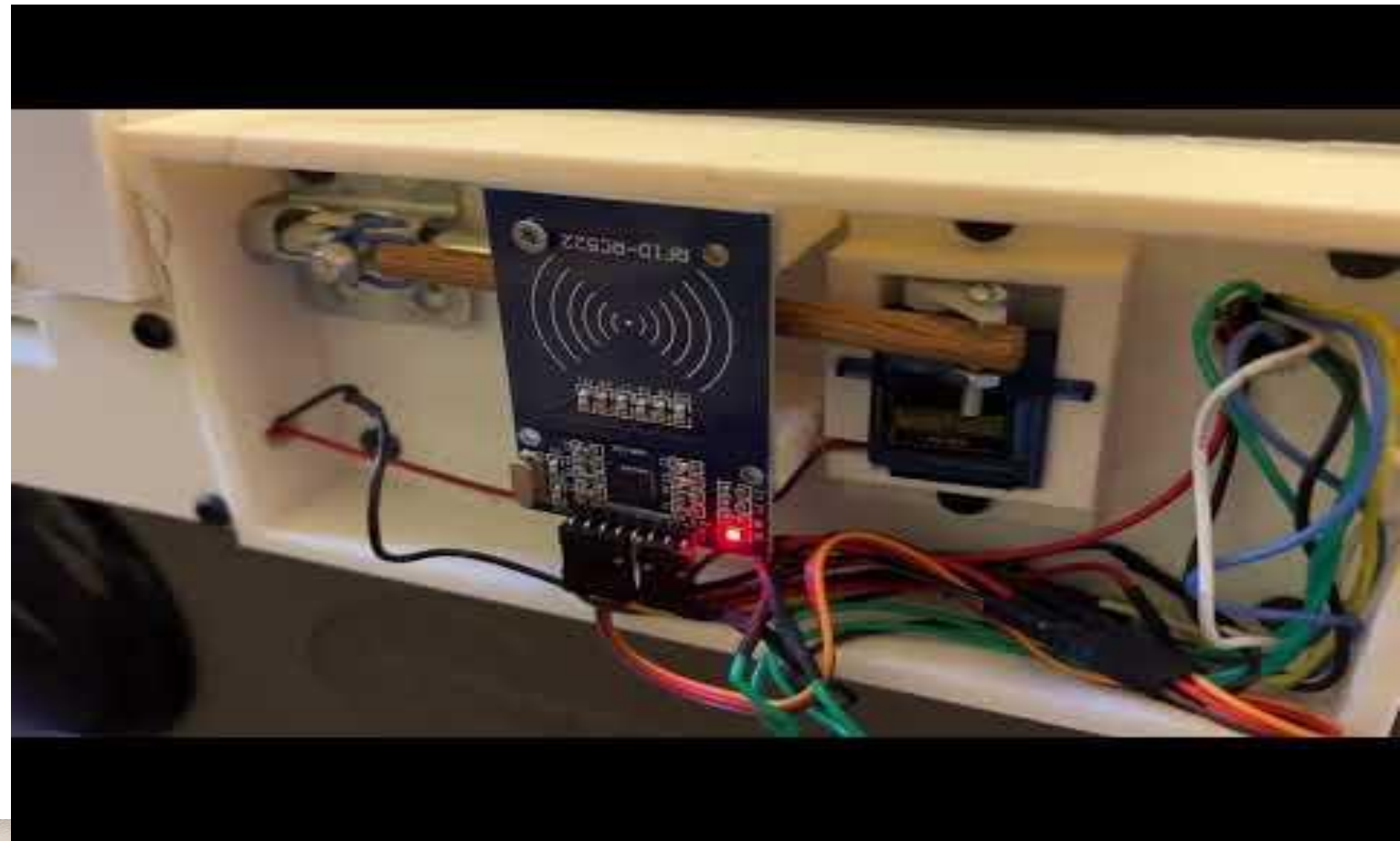
- The last compartment lid was competed and cut to fit

Flashlight Holder
and Bottle
Opener



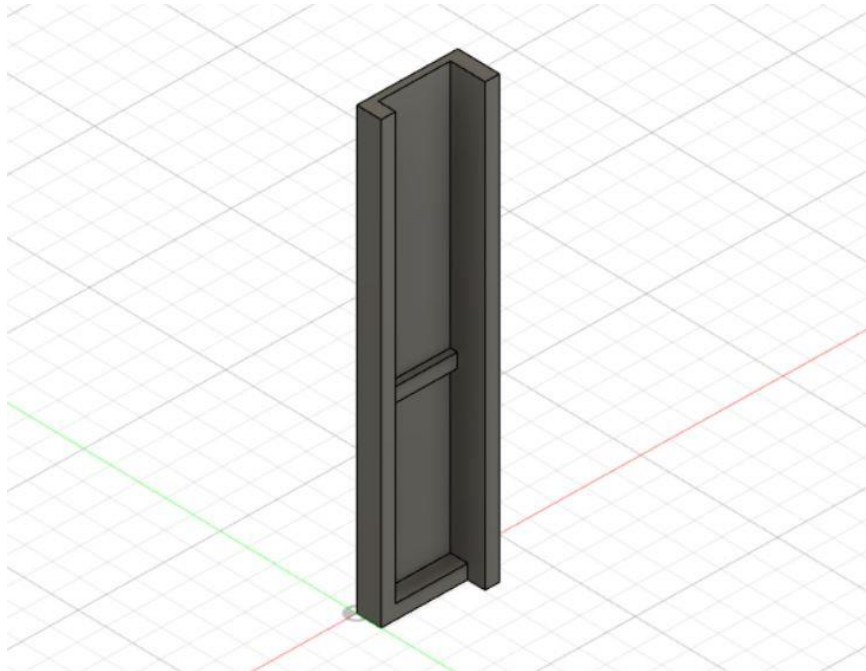
Locking Mechanism

- A nut and bolt was added to provide a sturdier structure
- The video shows the sliding lock unlocking then locking.
- The nut and bolt are attached to the servo horn and dowel.



Solor Panel

- A bracket was modeled
- Uses a metal cross tee



Goals for Next week

- Focused testing towards Success Criteria
- Outdoor Testing
- Wire management on Tech Side of Cooler
- Work on Report Paper