



# Simple Engineering Solutions Senior Proposal

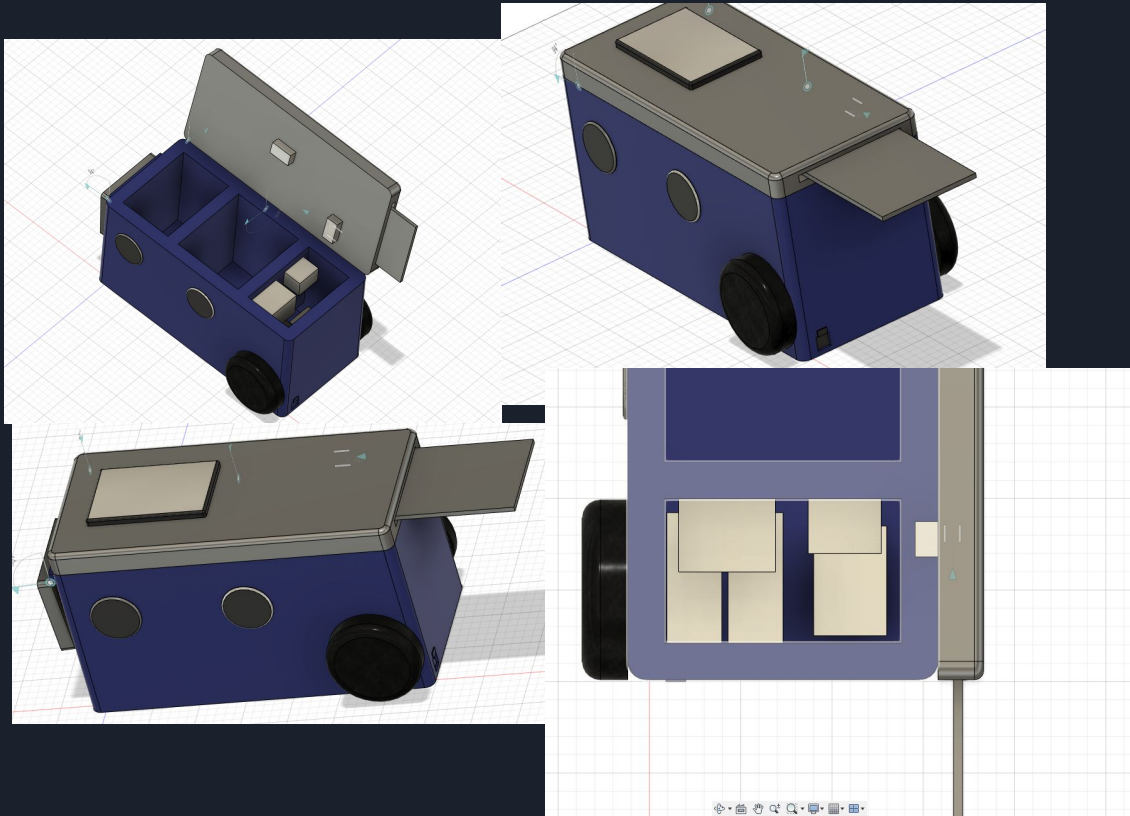
Week 6 June 15-June 21



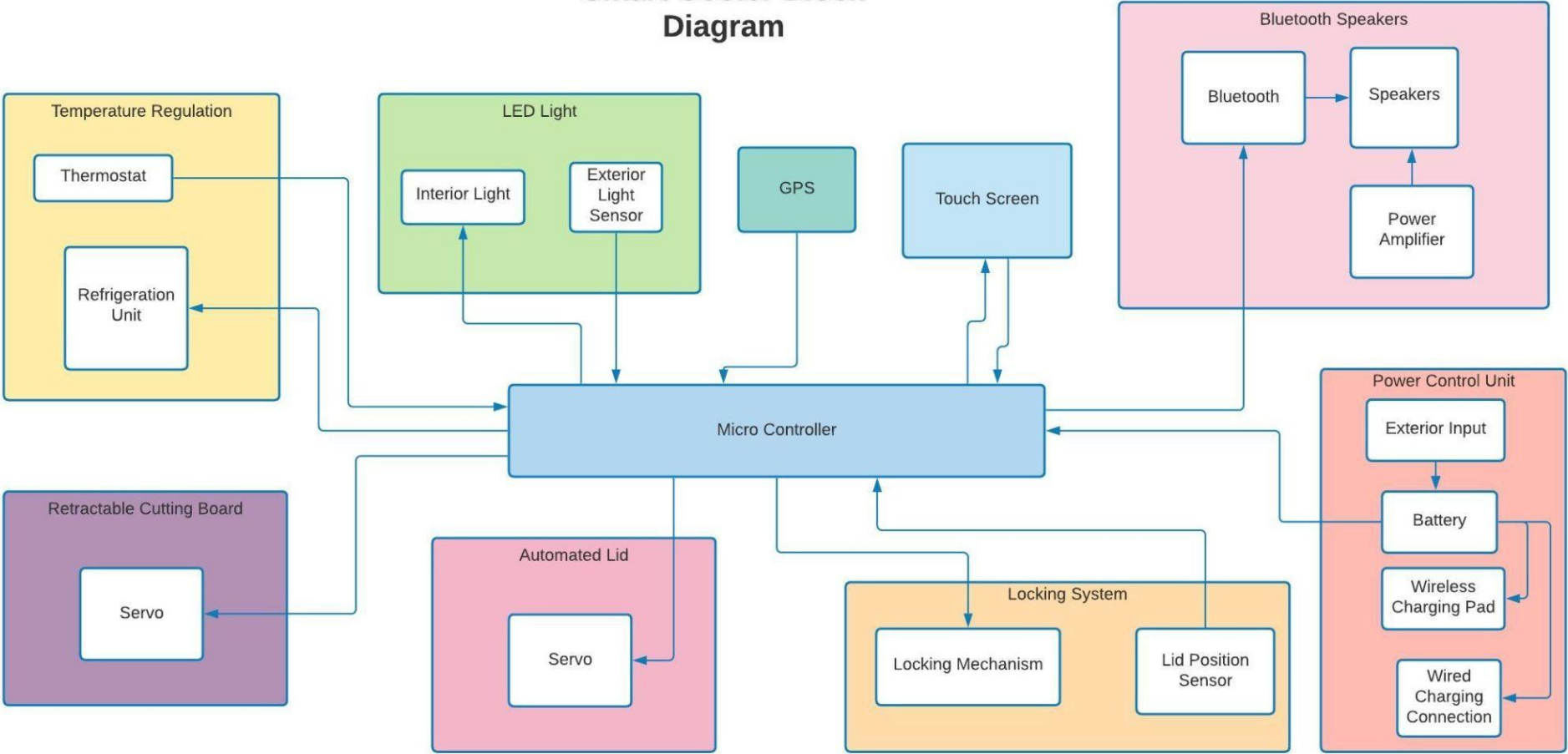
# Goals for the week

- Improve and redo 3D render
- Update Webpage
- Research parts
- Refine drafts of CDER and DES
- First Draft of Power Budget
- First Draft of Financial Budget

# 3D Render Improvements



# Smart Cooler Block Diagram





# Goals for next week

Here are the priorities for next week:

- Finalize remaining major components for each module
- Tune and access power and financial budgets
- Complete Chapter 2 of research paper
- Begin preparation for Presentation