



Simple Engineering Solutions Senior Proposal

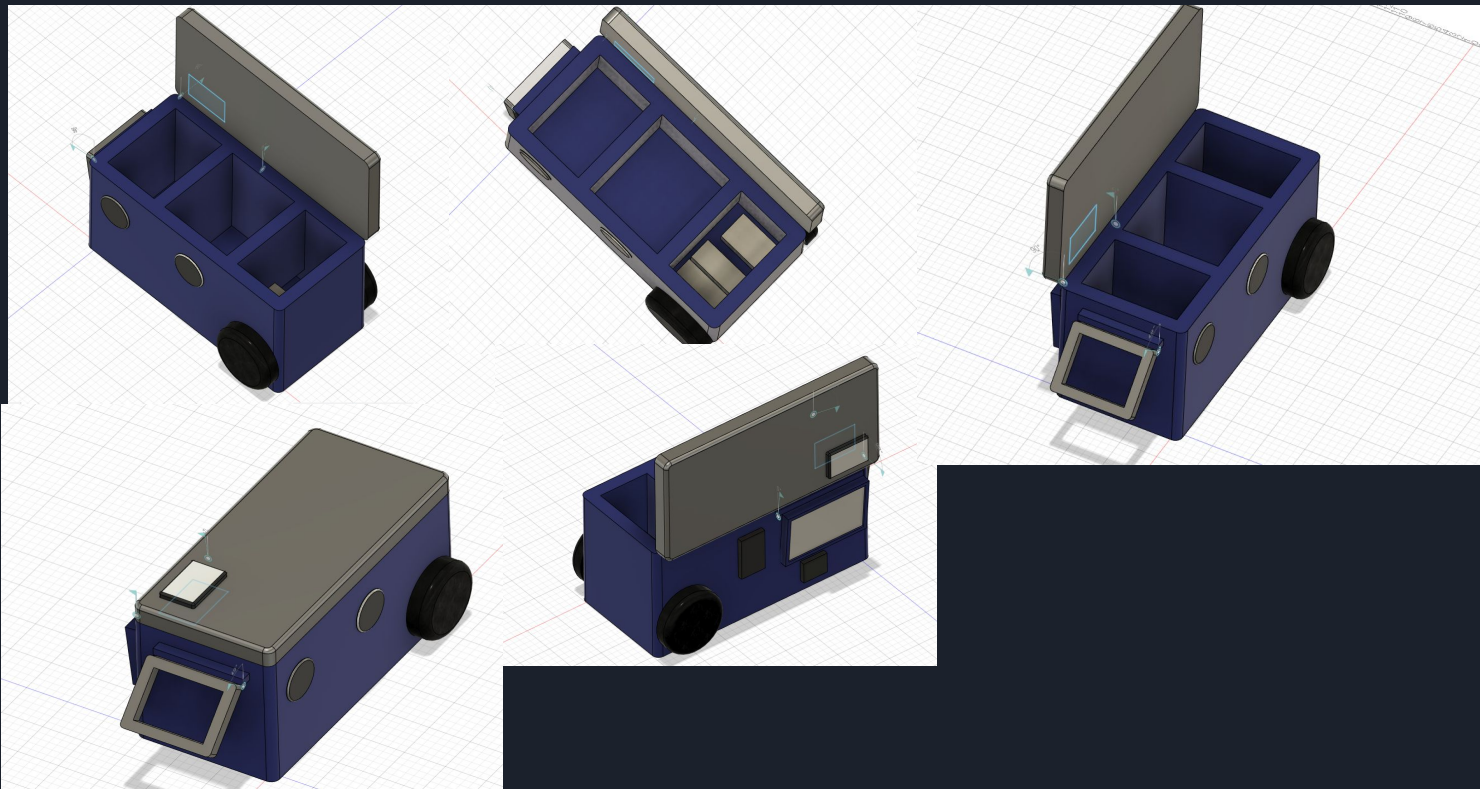
Week 5 June 08-June 14



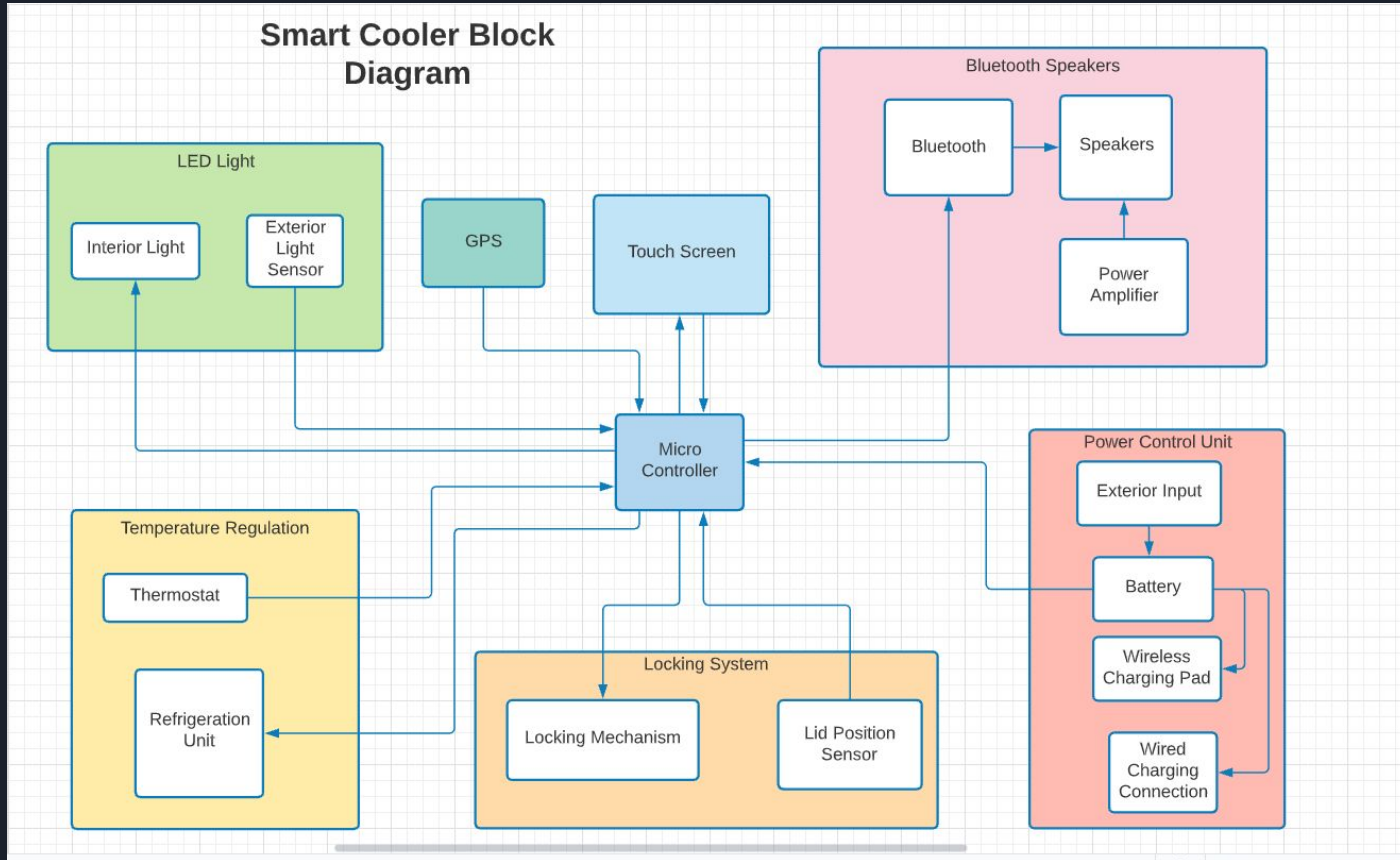
Goals for the week

- Improve and redo 3D render
- Update Webpage
- Research parts
- Complete first drafts of CDER and DES
- Block Diagram
- FlowChart
- First Draft of Power Budget
- First Draft of Financial Budget
- First Draft of Timeline

3D Render Improvements



Block Diagram





Updated to website

Flowchart

Engineering Requirements

Engineering Specifications

Timeline and Budget

Power Budget



Goals for next week

Here are the priorities for next week:

- Finalize remaining major components for each module
- Tune and access power and financial budgets
- Continue to flesh out Timeline
- Deep dive into Paper and make significant progress